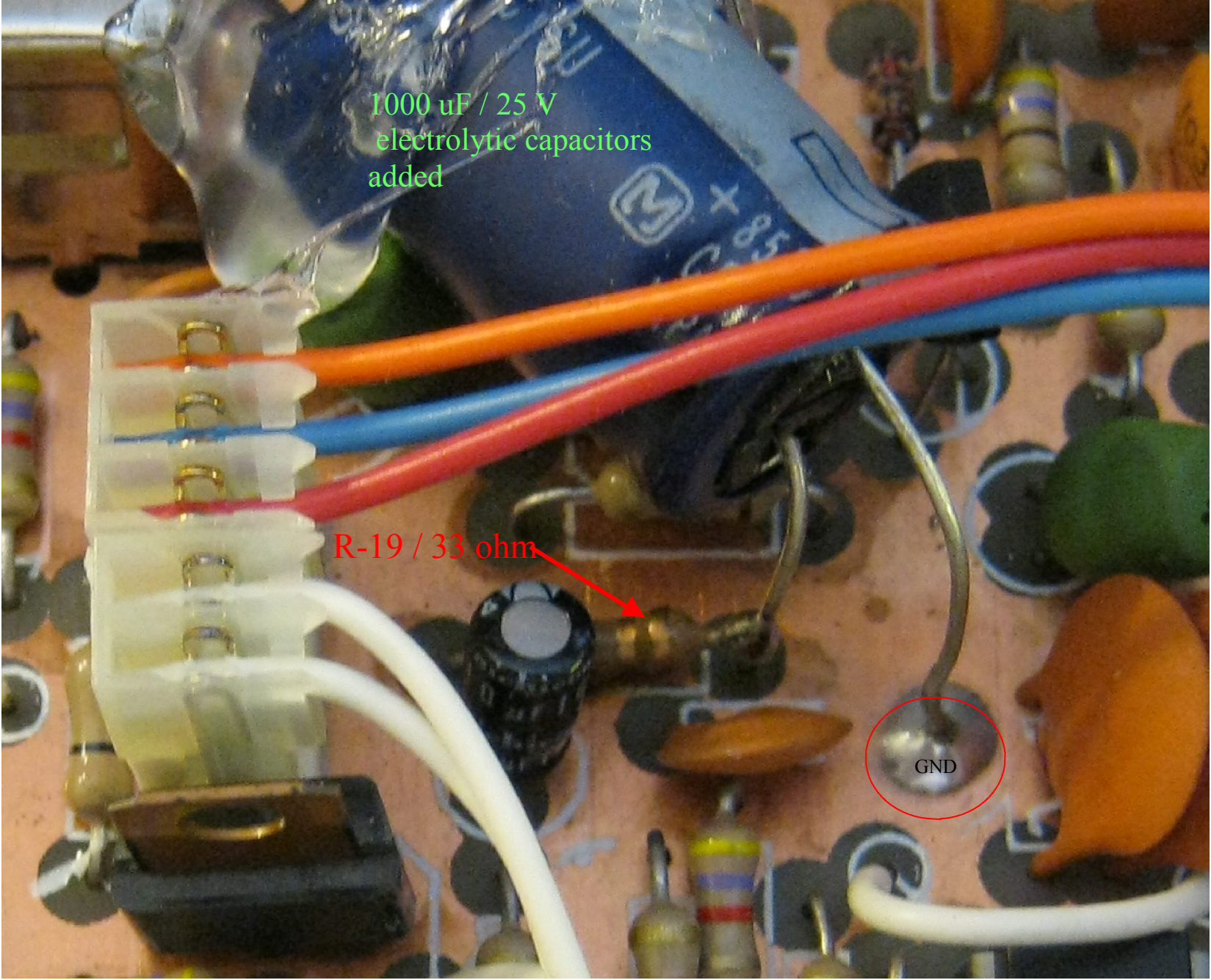


Audio POP noise , modification for TEN TEC OMNI-V
In AF / IF board.

added 1000 uF / 25 V electrolytic capacitor to power input of U-10 (TDA-1015 , audio amplifier IC).
Without this added 1000 uF capacitor, when audio get loud, the voltage at PIN #5 of U-10 fluctuated with audio wave.

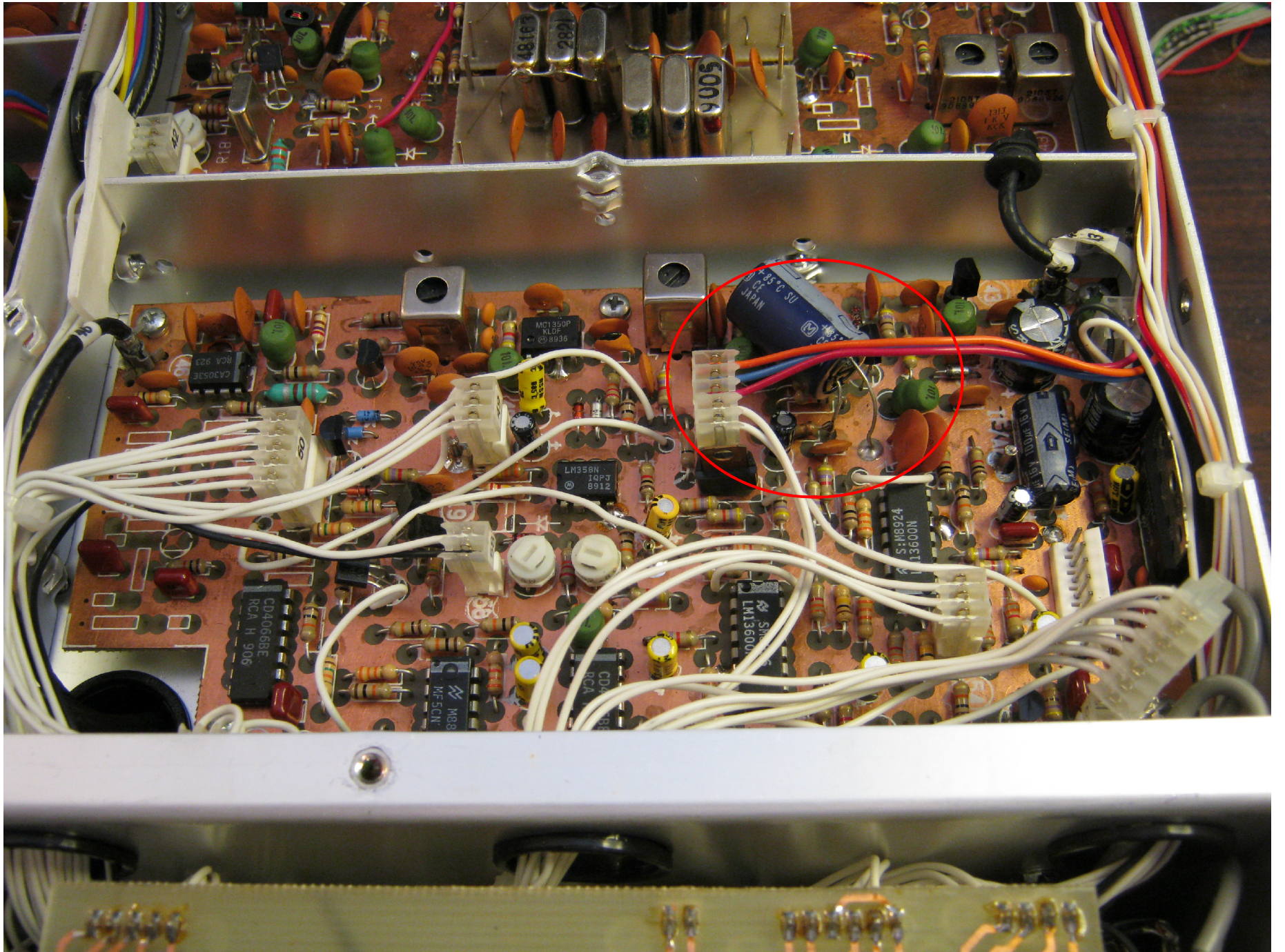
After adding 1000 uF , the voltage at PIN #5 of U-10 become much smoother, and start to sound better, and it does not distorted audio , and TX -> RX switch pop noise is gone.

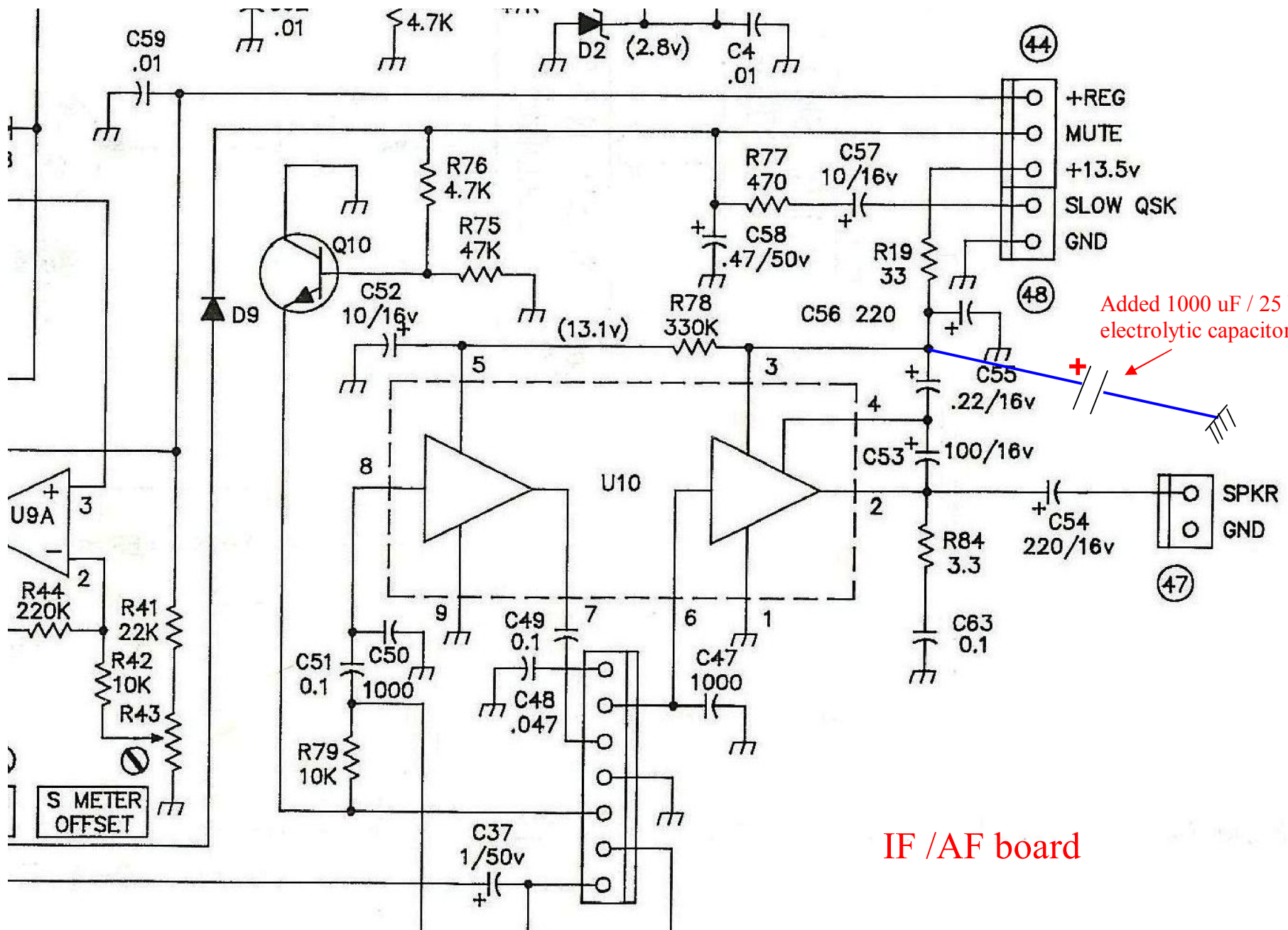


1000 μ F / 25 V
electrolytic capacitors
added

R-19 / 33 ohm

GND





IF /AF board