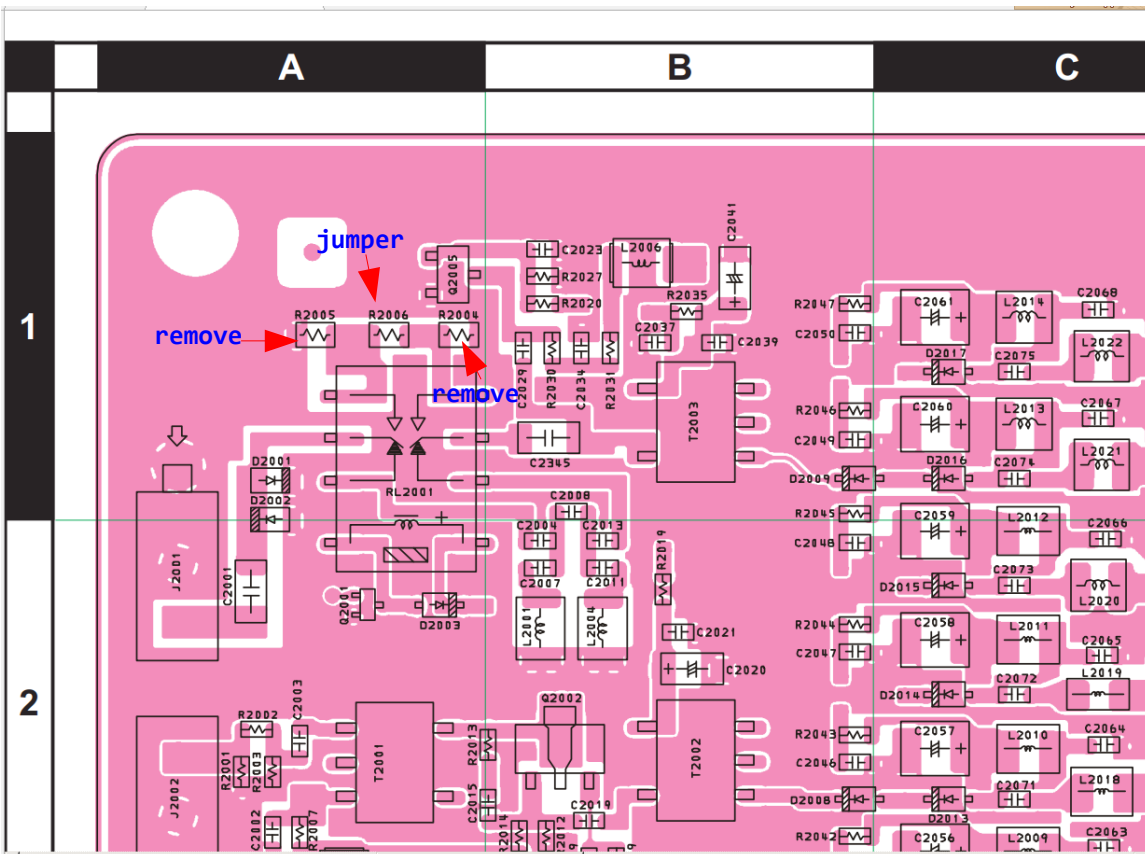
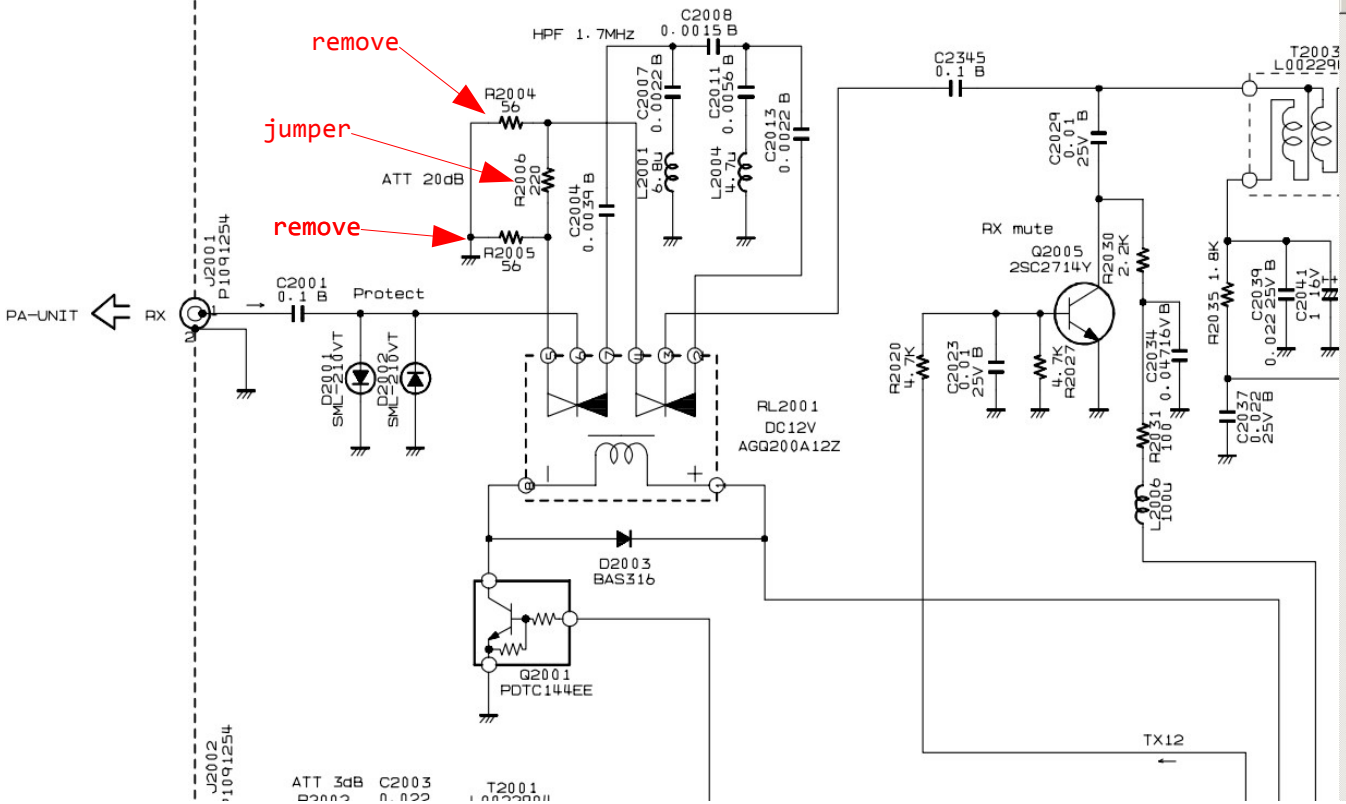
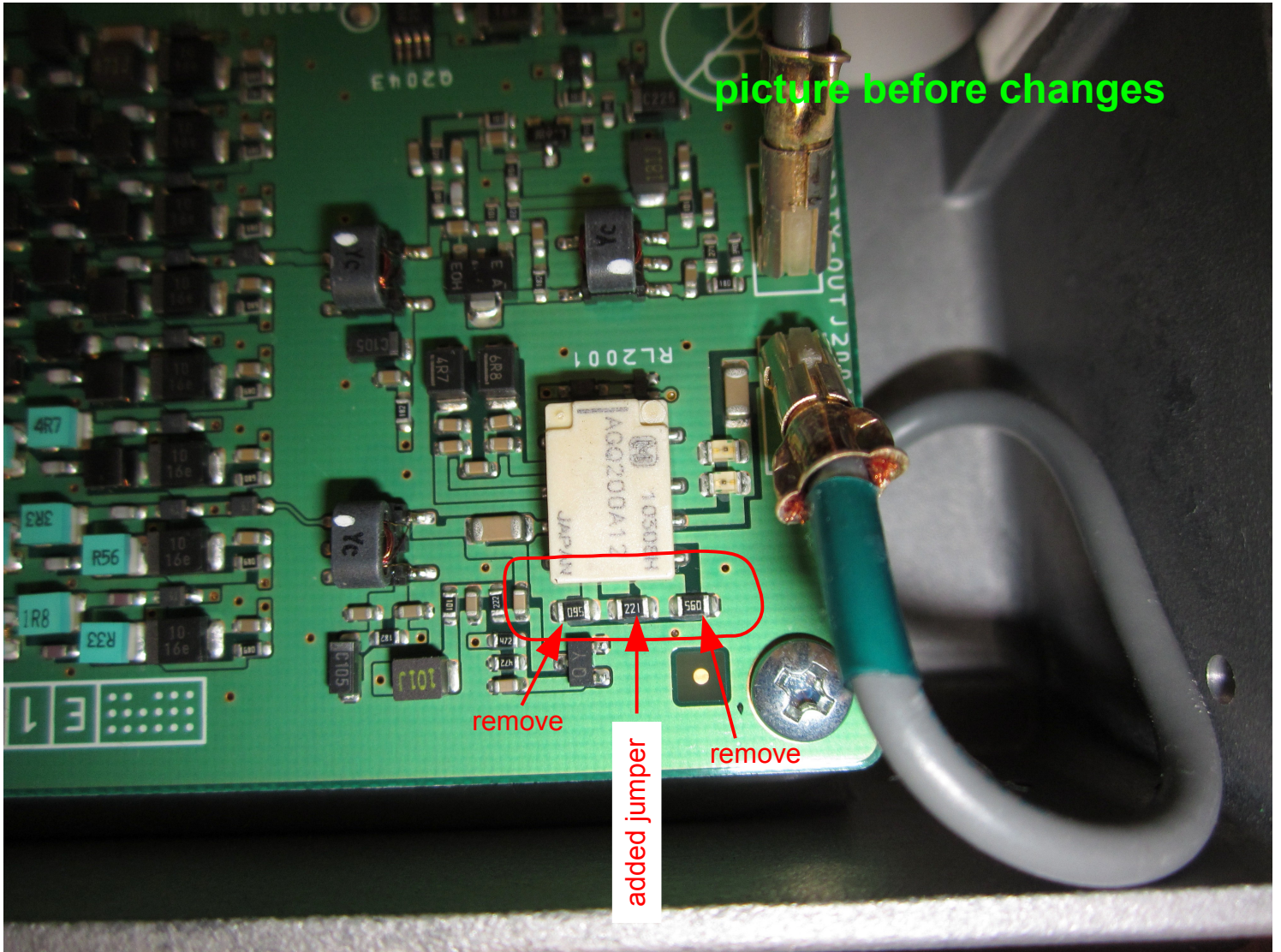
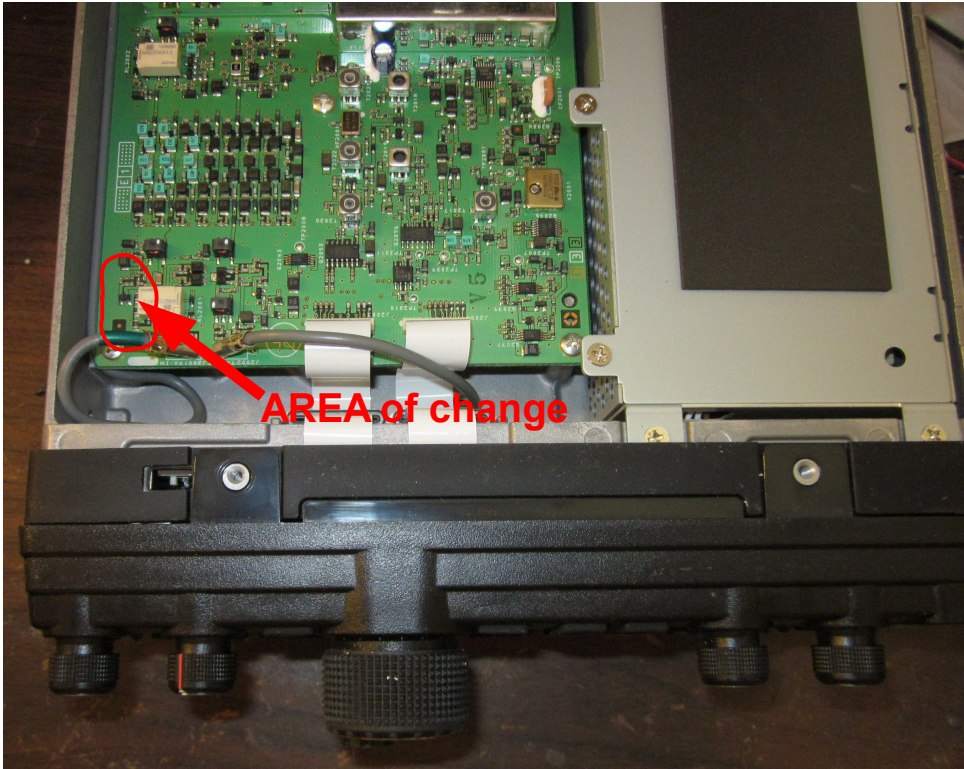
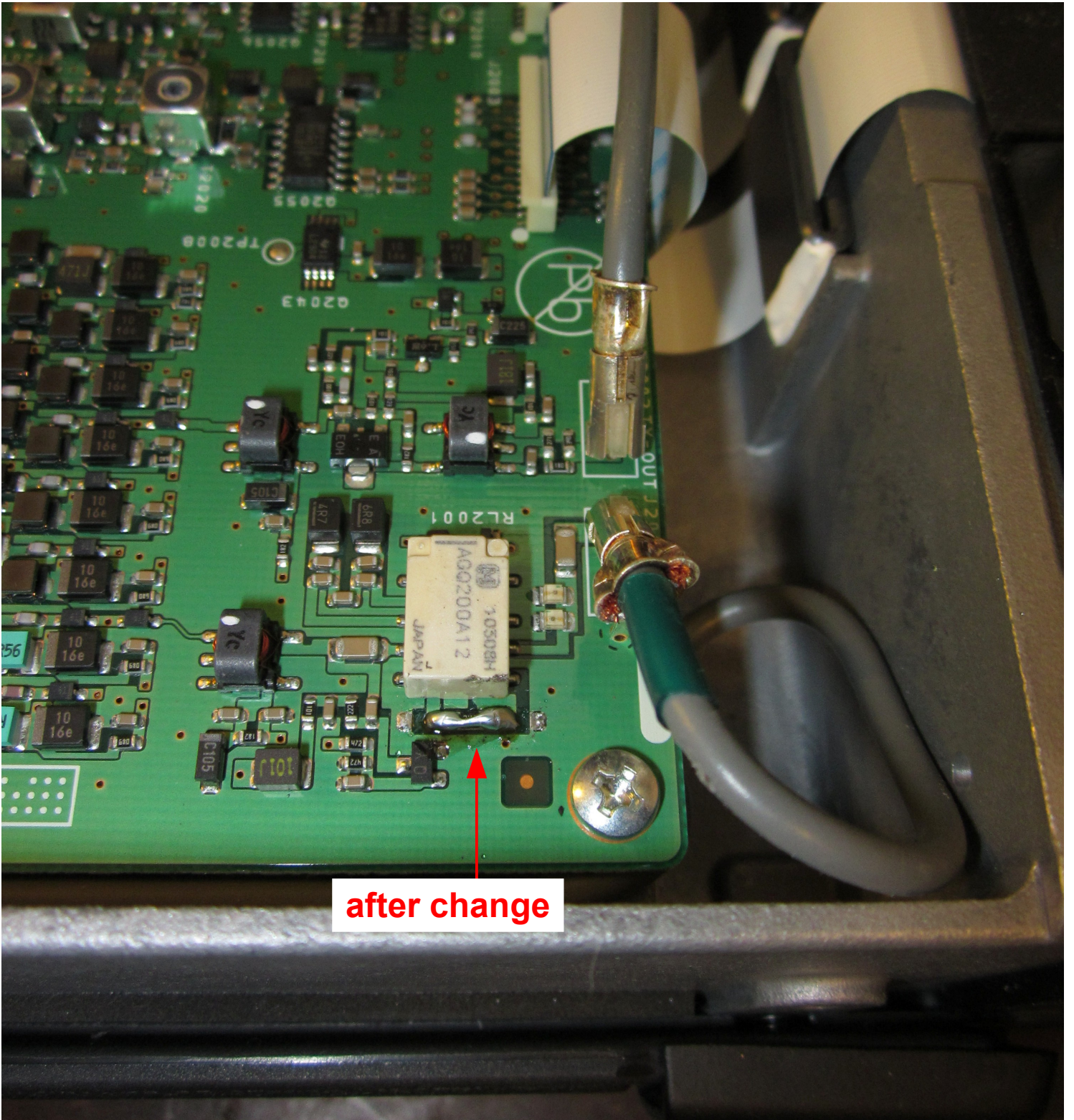


YAESU FT-450D 20dB ATT disabled below 1700kHz

RF-IF-UNIT (BRO)







after change



at frequency below 1700kHz, even the display say ATT is ON, 20dB ATT is jumper through with 0 ohm jumper (0dB ATT).