

Photo Relay TLP222G output  
350 V // 120 mA MAX  
ISOLATED NON-POLARIZED OUTPUT

DC INPUT 7 V to 20 V  
10mA operation + 5mA for each LED ( MAX 25 mA )

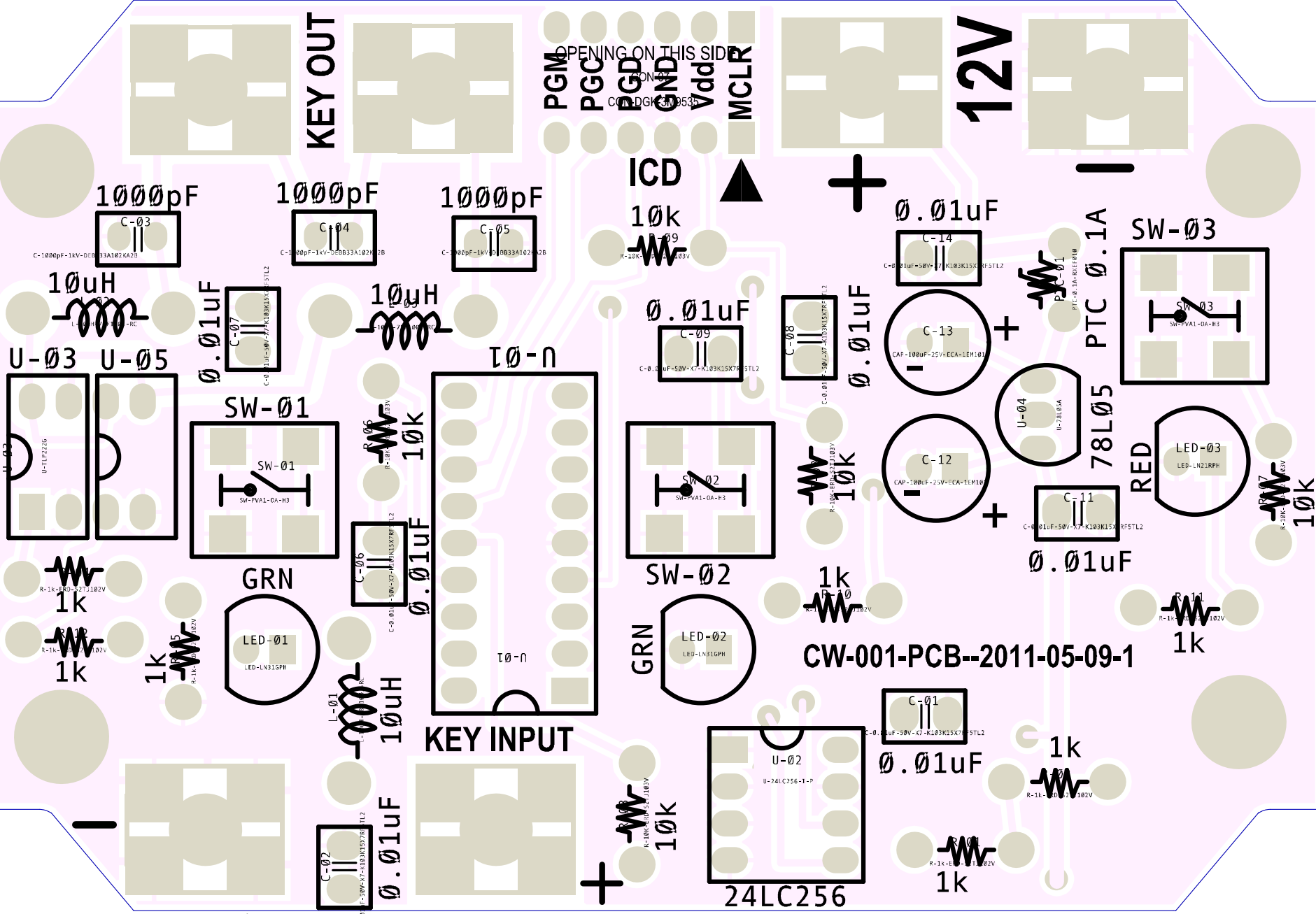
PGM PGC PGD GND Vdd MCLR/Vpp

(+) (-) GND

KEY OUT

PGM PGC PGD GND Vdd MCLR

12V



OPENING ON THIS SIDE  
FOR CONNECTION

CONNECTION POINTS

ICD 10k

0.01uF

SW-02

LED-02

KEY INPUT

24LC256

0.01uF

0.01uF

10k

1k

0.01uF

1k

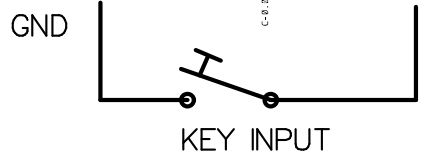
PTC 0.1A

SW-03

LED-03

1k

1k



CW-001-PCB--2011-05-09-1